

SETUP GUIDE

Speedport W 100 Repeater



Quick Reference

Using a repeater to extend the range of your wireless network.

- Connect the repeater to a power receptacle.
- Press the WPS buttons on the router and repeater to initiate a connection.
- Relocate the repeater to a remote midway point.
- The repeater will automatically connect with the modem and extend the overall broadcast range of your wireless network.

SETUP GUIDE Speedport W 100 Repeater

PROBLEM

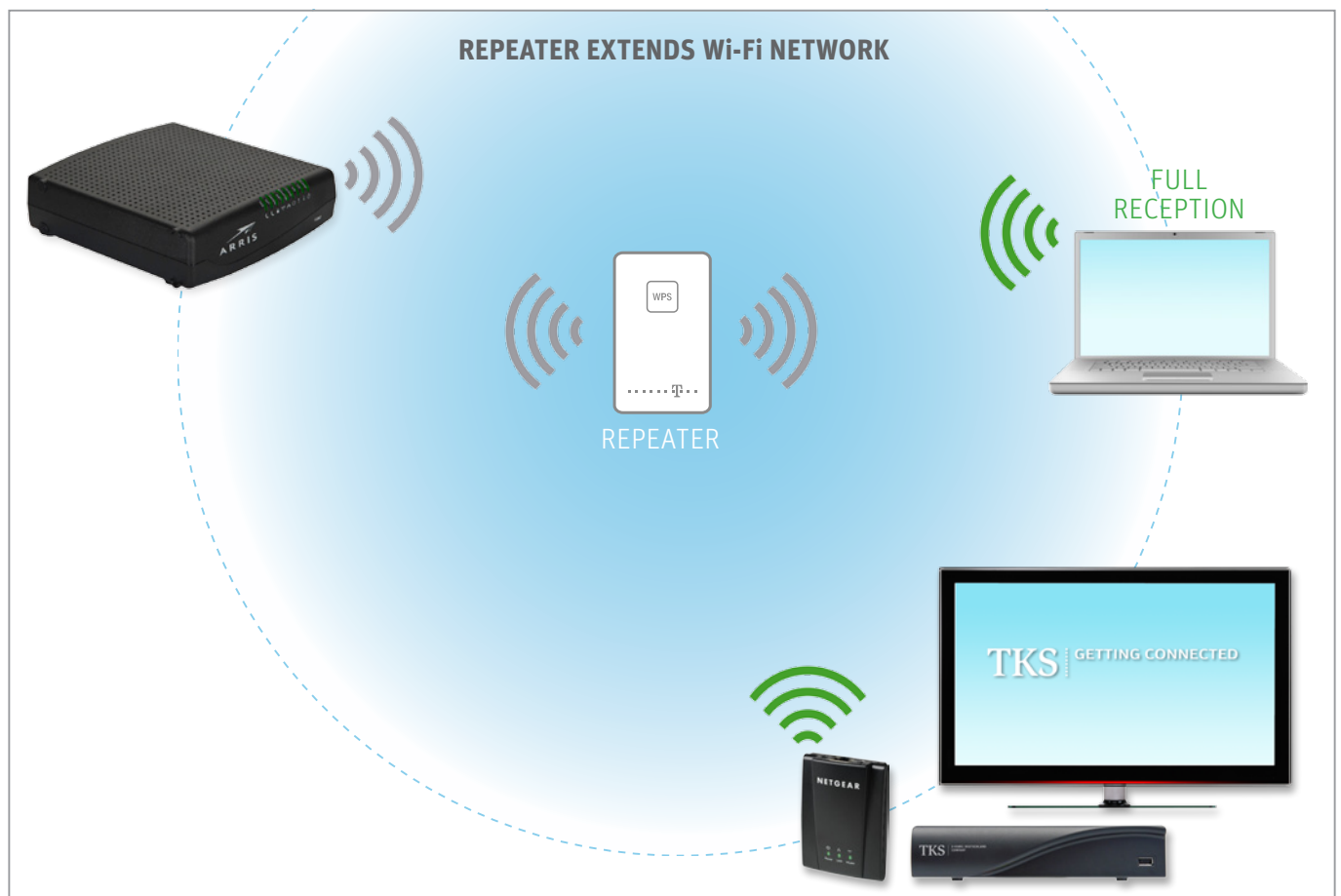
Your WLAN router does not have enough range or signal strength to certain parts of your home.

SOLUTION

Use a WPS repeater to extend the range of your existing wireless network.

REQUIREMENTS

- Speedport W 100 Repeater
- WPS-enabled WLAN router: ARRIS WLAN cable modem
- Wi-Fi adapter for digiCABLE



SETUP GUIDE

Speedport W 100 Repeater

GETTING STARTED

- To use the Speedport W 100 Repeater, you must establish a wireless connection between the repeater and a WPS-enabled WLAN router. WPS or a Wi-Fi protected setup is a secure wireless connection.
- Using the repeater, you will be able to connect other wireless devices that were previously either out of range, or that had a very weak signal reception.
- The repeater only needs to be synchronized with your wireless network once, when restarted it will automatically connect with the wireless network it was previously connected to.
- By placing the repeater in an area that still has sufficient signal strength, the repeater will then extend the broadcast range of your wireless router. The maximum distance between router and repeater is approximately 150 meters in an environment free of obstructions or signal interference.
- Using a Wi-Fi protected setup (WPS) makes it easy to utilize the integrated security features of your existing wireless network. If you have already configured a secure wireless connection on your computer, tablet, or mobile phone for example; you will automatically be connected to your network via the repeater without having to reconfigure these devices, or reenter the password.
- NOTE: The repeater is only compatible with WPS-enabled routers, it is not possible to use multiple repeaters.

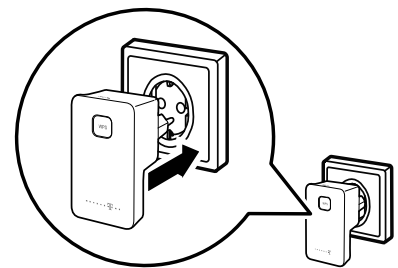
REPEATER SETUP | STEP-BY-STEP

1. Plug the repeater into a power receptacle.

For the initial setup, plug the repeater into a suitable AC power receptacle near your router and or computer.

When plugged in, the repeater’s control LED will start blinking **white** indicating that the device is starting up. When the white LED is **constantly on** this indicates that the device is ready to be synched to a WPS-enabled modem, but is not yet connected.

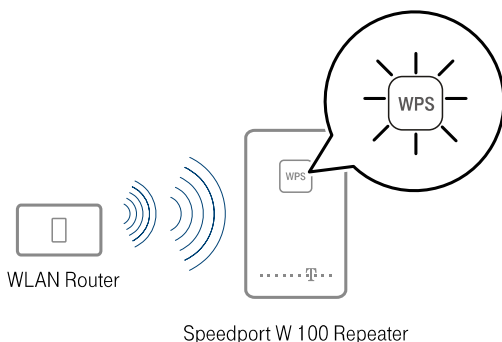
NOTE: After completing the initial configuration your settings will be saved and you will be able to unplug the repeater and relocate it for optimal coverage.



2. Press the WPS buttons to synchronize.

In summary, you must first press the WPS button on your WPS-enabled router, then press the WPS button on the repeater.

NOTE: The ARRIS WTM 652 cable modem/router for example has a “virtual” WPS button which is accessed over its configuration software, please see the section titled “Where’s my WPS button?”.



The control LED will first begin to blink **green** indicating that the connection is being established.

When the **green** LED stops blinking and is **constantly on** this indicates that the wireless connection has been successfully established. This can take between 20 and 120 seconds depending on the wireless signal strength.

If the LED begins blinking **red** this indicates that the connection has failed. This can happen if the repeater is too far away from the router and is not receiving adequate signal strength, move the repeater closer.

SETUP GUIDE

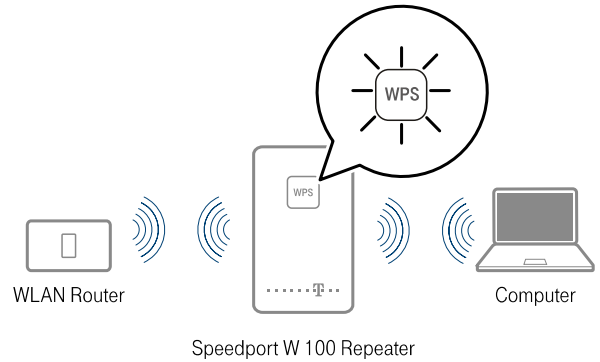
Speedport W 100 Repeater

3. Place the repeater in a new location.

Now plug the repeater into a wall receptacle that is midway to the area of low wireless coverage, for example in an adjoining hall or stairway.

The repeater must always be within range of your modem! For the best results, do not place the repeater behind cabinets or furniture, or near other electrical appliances that can cause signal interference.

When plugged in at its new location, the repeater will restart and automatically reconnect to your router, there's no need to press the WPS button again.



The LED indicator will once again first blink **white**, then remain **constantly on**, afterwards it will begin **blinking green**.

When the LED stops blinking and is **constantly green**, the wireless connection has been successfully reestablished. This can take between 20 and 120 seconds depending on the wireless signal strength.

4. Setup completed!

You may connect wireless devices to your network in the same way you always have before, however now with extended range as provided by the repeater. Your SSID, or network name, password and settings will all remain the same.



SETUP GUIDE

Speedport W 100 Repeater

WHERE'S MY ROUTER'S WPS BUTTON?



ARRIS GT862 | dedicated WPS button
press the button located on the side panel



ARRIS WTM652 | virtual WPS button
see the instructions below

ARRIS WTM652 | Virtual WPS Button

Many routers have a dedicated WPS button, while other devices such as the ARRIS cable modem/router have a “virtual” WPS button which must be “pressed” onscreen via the device’s control panel software. These instructions will show you how to access the ARRIS WPS settings and get the button pressed.

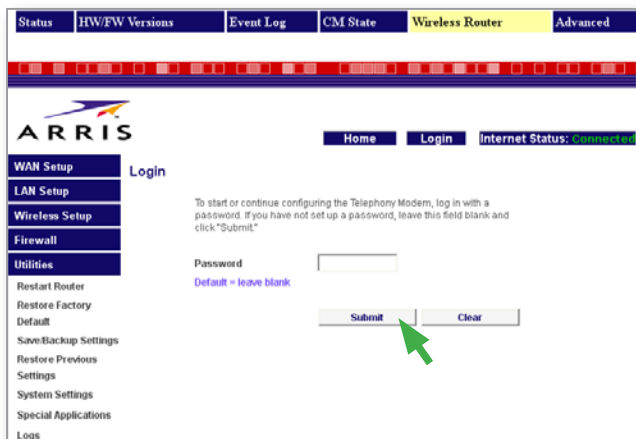
I. Launch the ARRIS configuration menu.

On a computer that is connected to your ARRIS cable modem network, launch your Internet browser.

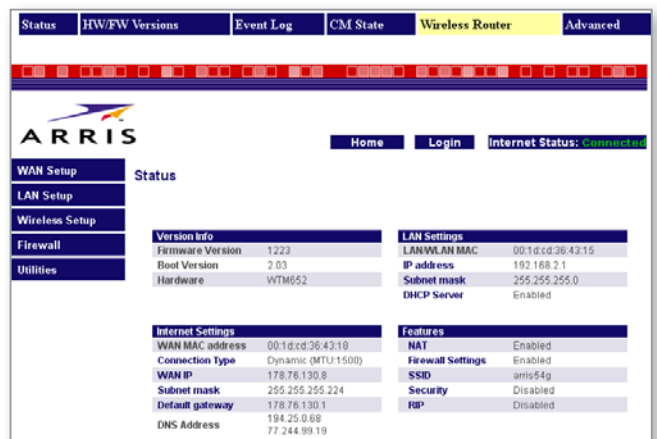
Clear the current web address from the browser’s navigation bar (e.g. www.google.com) and type in the address below, then press the **Enter** key on your computer keyboard:

<http://192.168.2.1>

II. PASSWORD LOGIN



I. ARRIS CONFIGURATION MENU



II. Login without a password.

Click on **Login** to proceed, by default there is no preexisting password, therefore you may leave the field blank and simply click on **Submit**.

SETUP GUIDE

Speedport W 100 Repeater

III. Press the WPS button!

To access the wireless settings, click on **Wireless Setup** on the navigation bar and then on **Wi-Fi Protected Setup**.

WPS Enable [checkmarked]

If this option is not activated, checkmark the box and then click **Apply**.

1) PCB Method

Click on **Simple Push Button** to initiate the router's WPS connection.

Now press the repeater's WPS button as per step 2. of the main instructions. The repeater's LED will begin blinking green, and then remain constantly green when the connection between the router and repeater has been successfully established.

Return to step 3. of the main instructions to complete the setup of your repeater!

III. WI-FI PROTECTED SETUP

The screenshot shows the 'Wi-Fi Protected Setup' configuration page. At the top, there is a navigation bar with tabs: Status, HW/FW Versions, Event Log, CM State, **Wireless Router**, and Advanced. Below the navigation bar is a status bar with 'Home', 'Logout', and 'Internet Status: Connected'. The left sidebar contains a menu with 'WAN Setup', 'LAN Setup', 'Wireless Setup', 'Channel and SSID', 'Security', **Wi-Fi Protected Setup**, 'Use as Access Point', 'MAC Address Control', 'Firewall', and 'Utilities'. The main content area is titled 'Wi-Fi Protected Setup' and contains the following sections:

- WPS Enable (State: Unconfigured)**: A checkbox is checked. Below it is an 'Apply' button.
- 1) PBC Method**: Description: 'To use Push Button Configuration(PBC), click on 'Simple Push Button', then use PBC on the client within 2 minutes.' Below it is a 'Simple Push Button' button.
- 2) PIN Method**: Description: 'Enter the client PIN and click 'Register'. Then use the client WPS application to complete connection within 2 minutes.' Below it is an 'Enrollee PIN' input field and a 'Register' button.
- AP Active PIN**: The value '46455765' is displayed next to a 'Restore Defaults' button.
- New AP PIN**: An input field is shown next to a 'Generate' button, and a 'Save PIN' button is located below it.